

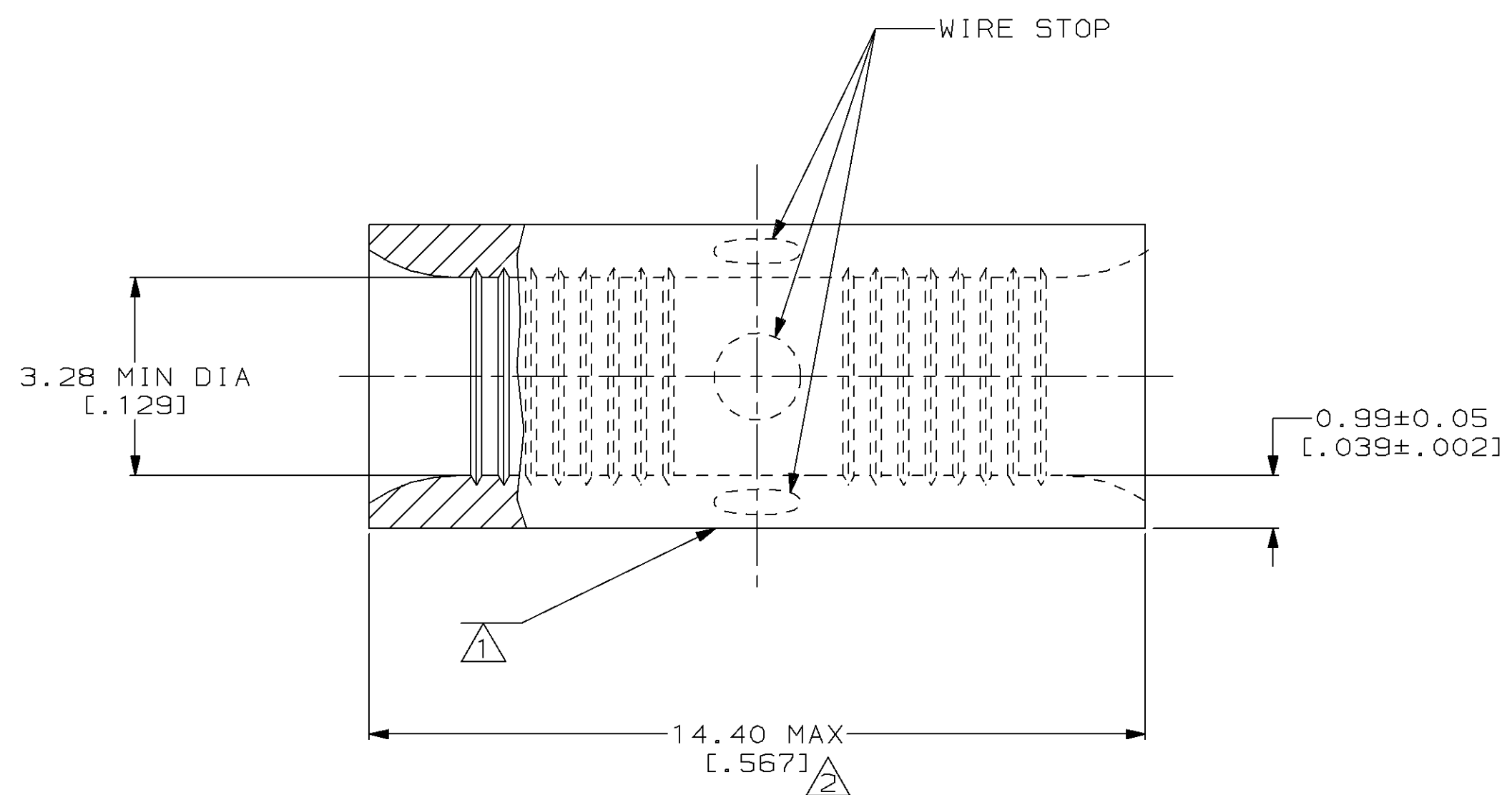
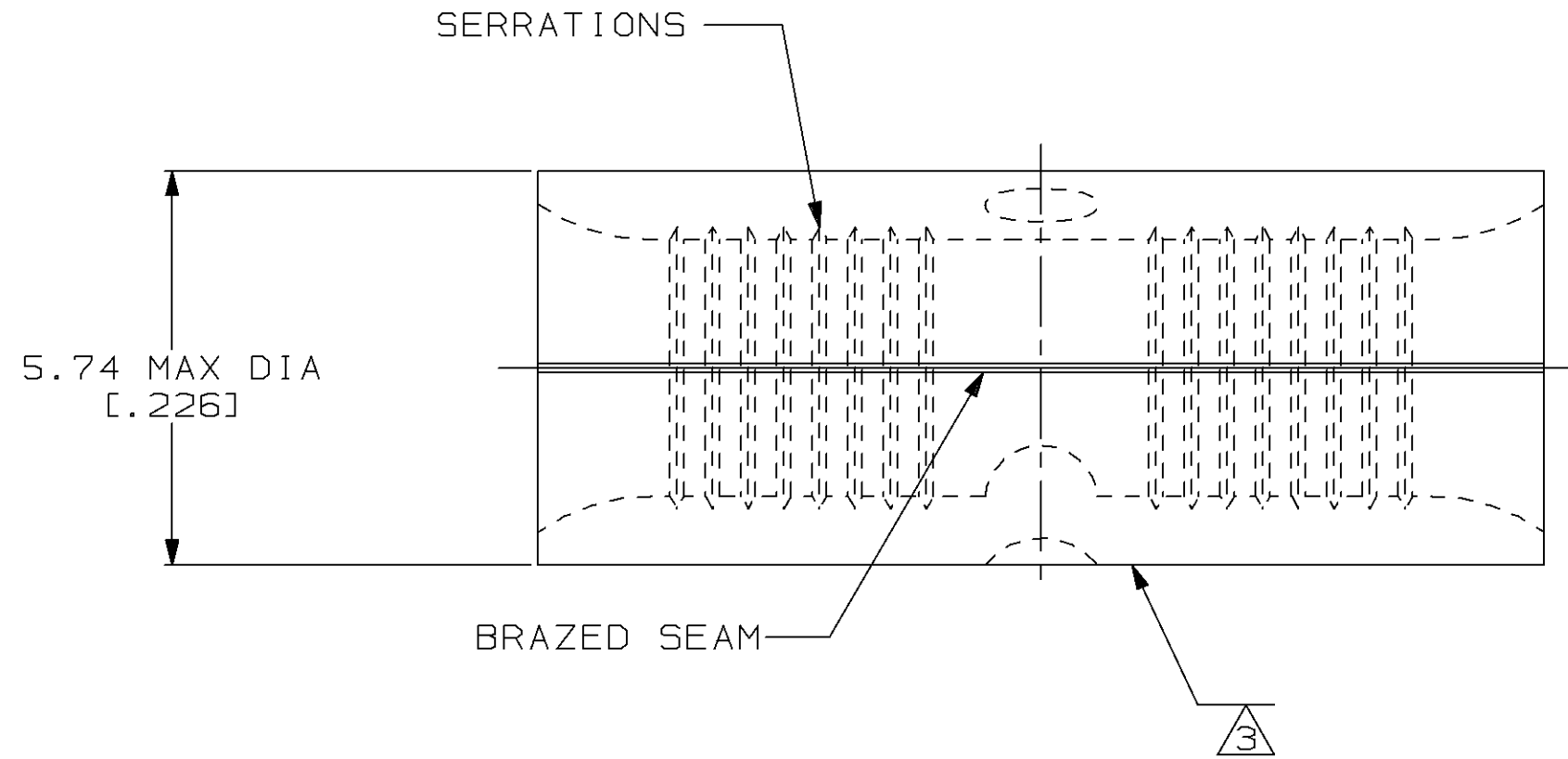
THIS DRAWING IS UNPUBLISHED. RELEASED FOR PUBLICATION, 19 .  
 © COPYRIGHT 19 BY AMP INCORPORATED. ALL INTERNATIONAL RIGHTS RESERVED.

LOC	DIST	P	F	REVISIONS			DATE	APPD
G	14			ZONE	LTR	DESCRIPTION		
					D	REV, RDRW, & SM PKG PER 0720-0061-93	4-16-93	APD

**METRIC**  
 DIMENSIONS LISTED IN mm [ INCHES ]

<b>AMP</b> WIRE RANGE	<b>UL</b> E13288 Listed
12-10 AWG SOLID OR STRANDED	NOT APPLICABLE
<b>SR</b> LR7189 Certified	MILITARY P/N AND CLASS
NOT APPLICABLE	NOT APPLICABLE

- ① STAMP AMP 12-10 APPROX AS SHOWN
- ② MAXIMUM LENGTH DOES NOT INCLUDE MANUFACTURING TABS
- ③ WIRE BARREL COLOR CODED ORANGE TO DENOTE NICKEL MATERIAL



50	LOOSE PIECE, BOX	8-323696-2
----	LOOSE PIECE	323696
QUANTITY	PACKAGE TYPE	PART NO

**AMP INCORPORATED**  
**CUSTOMER SERVICE SYSTEMS**

FOR ADDITIONAL PRODUCT INFORMATION OR COPIES OF DRAWINGS AND TECHNICAL DOCUMENTS

FOR APPLICATION TOOLING INFORMATION

FOR ORDER ENTRY

PRODUCT INFORMATION CENTER  
1-800-522-6752

TOOLING ASSISTANCE CENTER  
1-800-722-1111

1-800-526-5142

MAX RECOMMENDED OPERATING TEMPERATURE:  
649°C MAX

VOLTAGE RATING:  
NOT APPLICABLE

WIRE CROSS SECTIONAL AREA RANGE:  
2.62-6.64mm<sup>2</sup> [ 5,180-13,100 ] CIR MILS  
SOLID OR STRANDED

THIS DRAWING IS A CONTROLLED DOCUMENT FOR AMP INCORPORATED. IT IS SUBJECT TO CHANGE AND THE CONTROLLING ENGINEERING ORGANIZATION SHOULD BE CONTACTED FOR THE LATEST REVISION.

DO NOT SCALE PRINT. UNLESS SPECIFIED DIMENSIONS IN mm [ INCHES ] - TOLERANCES ON :

2 PLC DEC ± -  
3 PLC DEC ± -  
ANGLES ± -

MATERIAL  
NICKEL PER ASTM B-162 ANNEALED

FINISH  
-

DR 4-16-93 TA BRINKMAN  
CHK 4-16-93 DA PATTERSON  
APPD 4-16-93 DE MILLER  
APPD 4-16-93 JL MECKLEY  
PRODUCT SPEC -  
APPLICATION SPEC -  
WEIGHT -

**AMP** AMP Incorporated  
Harrisburg, PA 17105-3608

NAME  
SPLICE, BUTT, STANDARD, HIGH TEMPERATURE, STRATO-THERM™

SIZE  
③ 00779

CAGE CODE  
00779

DRAWING NO  
③=323696

SCALE 10:1

SHEET 1 OF 1